

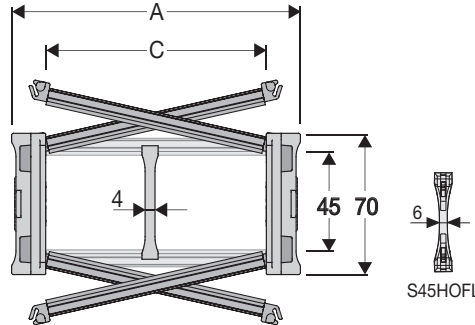
# Serie Heavy

## H45SC

### Nylon cable chain with opening frames

#### Inner height (D) 45 mm

Sideband construction with quickly removable pin. Frames openable from either side on both inner and outer radius. As standard the chain comes with frames every second link, on request with frames every link. Vertical and horizontal modular separator system is available.



#### Separator

|               |                   |
|---------------|-------------------|
| - Unassembled | Part.no S45CF3    |
| - Assembled*  | Part.no S45CF3MCI |
| - Assembled** | Part.no S45CF3MCE |

#### Strong-hold Separator

for C > 250 mm

|               |                 |
|---------------|-----------------|
| - Unassembled | Part.no S45HOFL |
| - Assembled   | Part.no S45HOFL |

#### Pin

Part.no PNH45RS

\* for chain opening outer radius

\*\* for chain opening inner radius

#### Technical Characteristics when self-supporting

|              |                     |
|--------------|---------------------|
| Speed        | 8 m/s               |
| Acceleration | 40 m/s <sup>2</sup> |

For higher requirements please consult our technical dept.

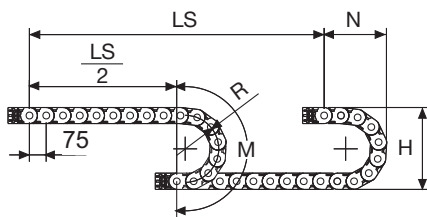
4

For sliding applications, characteristics techniques may vary depending on the frequency, added weight and work environment.

| A   | B  | C   | D  | R                               | Weight/m | Chain          |
|-----|----|-----|----|---------------------------------|----------|----------------|
| mm  | mm | mm  | mm | mm                              | kg       | Part Number    |
| 113 | 70 | 75  | 45 | 075-100-125-150-175-200-250-300 | 2,29     | H45SC075 □□□ * |
| 138 | 70 | 100 | 45 | 075-100-125-150-175-200-250-300 | 2,37     | H45SC100 □□□ * |
| 163 | 70 | 125 | 45 | 075-100-125-150-175-200-250-300 | 2,44     | H45SC125 □□□ * |
| 188 | 70 | 150 | 45 | 075-100-125-150-175-200-250-300 | 2,52     | H45SC150 □□□ * |
| 213 | 70 | 175 | 45 | 075-100-125-150-175-200-250-300 | 2,60     | H45SC175 □□□ * |
| 238 | 70 | 200 | 45 | 075-100-125-150-175-200-250-300 | 2,67     | H45SC200 □□□ * |
| 263 | 70 | 225 | 45 | 075-100-125-150-175-200-250-300 | 2,75     | H45SC225 □□□ * |
| 288 | 70 | 250 | 45 | 075-100-125-150-175-200-250-300 | 2,83     | H45SC250 □□□ * |
| 313 | 70 | 275 | 45 | 075-100-125-150-175-200-250-300 | 2,91     | H45SC275 □□□ * |
| 338 | 70 | 300 | 45 | 075-100-125-150-175-200-250-300 | 2,99     | H45SC300 □□□ * |
| 388 | 70 | 350 | 45 | 075-100-125-150-175-200-250-300 | 3,14     | H45SC350 □□□ * |
| 438 | 70 | 400 | 45 | 075-100-125-150-175-200-250-300 | 3,30     | H45SC400 □□□ * |

\*Complete the code by inserting the value of the radius (R): Ex. H45SC100 □ □ □

Chain equipped with nylon frame every pitch: complete the code by inserting the letter D. Ex. H45SC100250 □

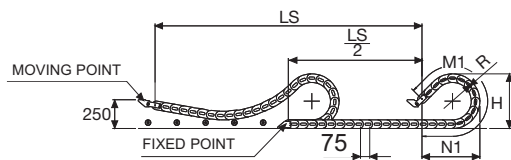


Length of chain (L)

Half travel distance ( $\frac{LS}{2}$ )

plus length of curve (M) or (M1)

$$L = \frac{LS}{2} + M \text{ or } M1$$

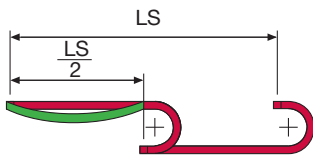
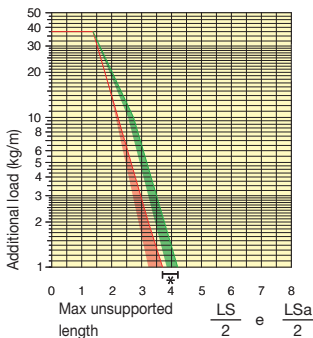


| R   | H   | N   | M    | N1   | M1   |
|-----|-----|-----|------|------|------|
| mm  | mm  | mm  | mm   | mm   | mm   |
| 075 | 220 | 185 | 390  | 265  | 540  |
| 100 | 270 | 210 | 465  | 275  | 595  |
| 125 | 320 | 235 | 545  | 395  | 870  |
| 150 | 370 | 260 | 625  | 515  | 1150 |
| 175 | 420 | 285 | 700  | 635  | 1430 |
| 200 | 470 | 310 | 780  | 750  | 1705 |
| 250 | 570 | 360 | 940  | 990  | 2265 |
| 300 | 670 | 410 | 1095 | 1225 | 2820 |



### Self-Supporting Capacity Diagram

The maximum length of the self-supporting capacity or in admissible sagging in relationship to the weight of the cables and hoses contained per linear metre.



**\*If the chain is in the ADMISSIBLE SAGGING area (between GREEN and RED area) version with frames on every link is necessary.**

The area in the diagram considers the difference of weight between various widths.

Red for self-supporting chain, green for chain in admissible sagging.

For applications with ( $\frac{LS}{2}$ ) and weights not included in the diagram of self-supporting capacity, verify the possible use of support rollers (see page 30).

### End Brackets

The end brackets set allows the two ends of the chain to be attached to the equipment. Set complete with tie-wrap clamps available on request.

#### Nylon Type

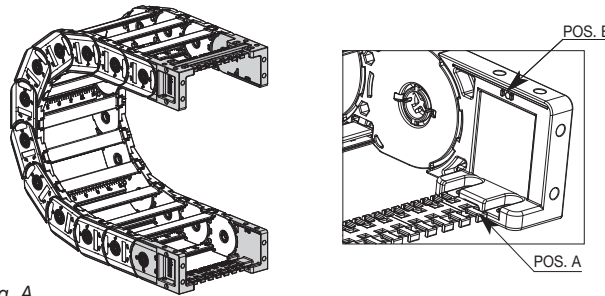
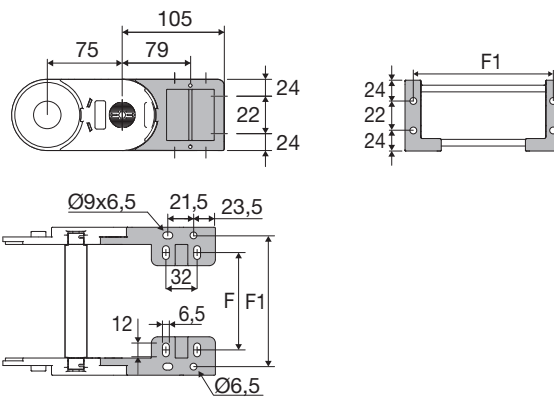


Fig. A  
The chain can be fixed frontally, inner and outer radius (Fig A)



| Chain Type | F mm |
|------------|------|
| H45SC075   | 91   |
| H45SC100   | 116  |
| H45SC125   | 141  |
| H45SC150   | 166  |
| H45SC175   | 191  |
| H45SC200   | 216  |
| H45SC225   | 241  |
| H45SC250   | 266  |
| H45SC275   | 291  |
| H45SC300   | 316  |
| H45SC350   | 366  |
| H45SC400   | 416  |

#### Nylon Type Part Numbers

| Complete Set Assembled Chain Type | End Brackets set |
|-----------------------------------|------------------|
| H45SC...                          | ANH45SC□□□KM□**  |

| Complete Set Unassembled Chain Type | End Brackets set |
|-------------------------------------|------------------|
| H45SC...                            | ANH45SC□□□K      |

\*\* 1=Pos.1; 2=Pos.2; 3=Pos.3

| Chain Type | F mm  |
|------------|-------|
| H45SC075   | 55,5  |
| H45SC100   | 80,5  |
| H45SC125   | 105,5 |
| H45SC150   | 130,5 |
| H45SC175   | 155,5 |
| H45SC200   | 180,5 |
| H45SC225   | 205,5 |
| H45SC250   | 230,5 |
| H45SC275   | 255,5 |
| H45SC300   | 280,5 |
| H45SC350   | 330,5 |
| H45SC400   | 380,5 |

#### Tiewrap Clamp

| Complete Set Assembled Chain Type | Tiewrap Clamp set |
|-----------------------------------|-------------------|
| Pos. A                            | SFCTH45□□□*KMA    |
| Pos. B                            | SFCTH45□□□*KM     |

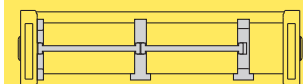
| Complete Set Unassembled Mounting Position | Tiewrap Clamp set |
|--|-------------------|
| Pos. A                                     | SFCTH45□□□*KA     |
| Pos. B                                     | SFCTH45□□□*K      |

\* Inner Width C

### Serie Heavy

## H45SC

Nylon cable chain with opening frames



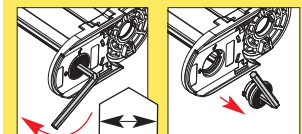
Separation System page 216



#### How to open the frame



#### How to release the pin junction



8 mm



Suitable to long travel distance in frame every pitch version. To choose the guide channel see page 182

For further informations please consult Brevetti Stendalto's Technical Office